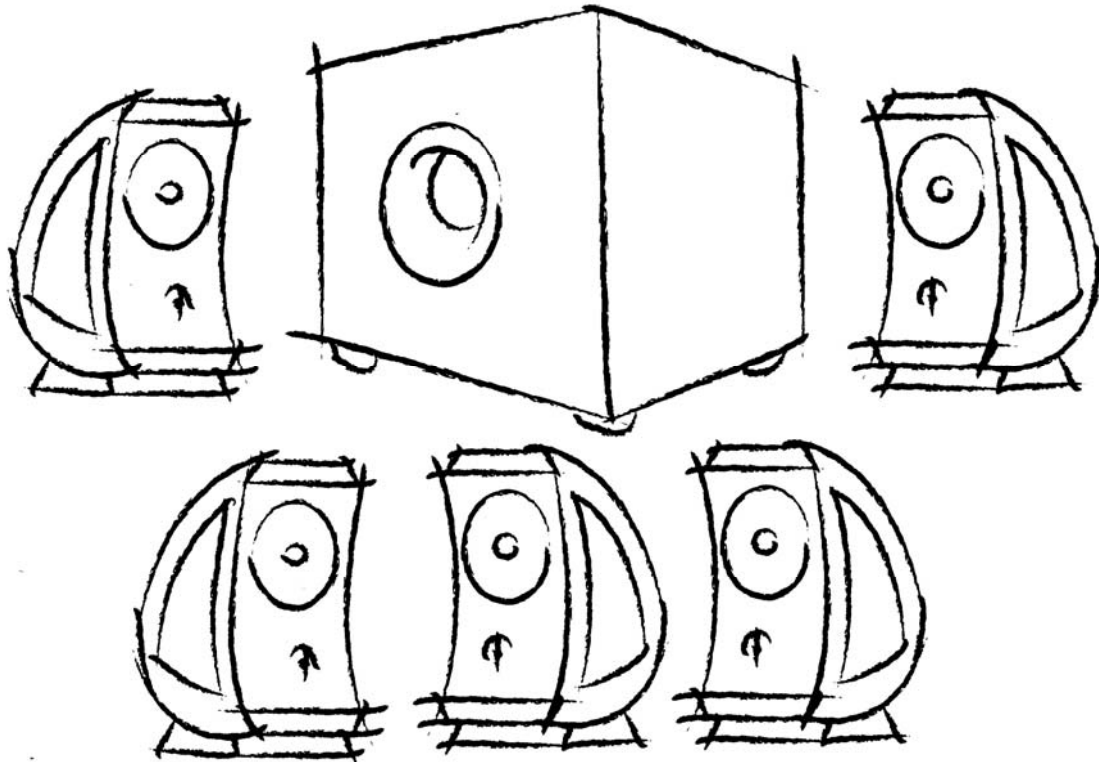


Pack 5.1 Sib&Cub³

User manual / Manuel d'utilisation / 用户手册



CONFORMITY

An example of this equipment has been tested and found to comply with the following European directives and international standards:
Electromagnetic compatibility EN 55103 / Electrical safety EN 60065

DÉCLARATION DE CONFORMITÉ

Un échantillon de ce produit a été testé comme étant en conformité avec les directives européennes et autres standards internationaux suivants : Compatibilité électromagnétique EN 55103 / Sécurité électrique EN 60065




符合

这种设备样本已经过测试，并符合以下欧洲法规和国际标准：电磁兼容性EN55103□ / □ 电气安全EN60065

English page 13
Français page 20
中文27頁

READ FIRST ! IMPORTANT SAFETY INSTRUCTIONS !



	<div style="border: 1px solid black; padding: 5px; text-align: center;"> <p>CAUTION</p> <p>RISK OF ELECTRIC SHOCK DO NOT OPEN</p> </div>	
<p>The lightning flash with arrowhead symbol within an equilateral triangle, is intended to alert the user to the presence of uninsulated "dangerous voltage" within the product's enclosure that may be of sufficient magnitude to constitute a risk of electric shock to persons.</p>	<p>Caution : to prevent the risk of electric shock, do not remove cover (or back). No user-serviceable parts inside. Refer servicing to qualified service personnel.</p>	<p>The exclamation point within an equilateral triangle is intended to alert the user to the presence of important operating and maintenance (servicing) instructions in the literature accompanying the product.</p>
<ol style="list-style-type: none"> 1. Read these instructions. 2. Keep these instructions. 3. Heed all warnings. 4. Follow all instructions. 5. Do not use this apparatus near water. 6. Clean only with dry cloth. 7. Do not block any ventilation openings. Install in accordance with the manufacturer's instructions. 8. Do not install near any heat sources such as radiators, heat registers, stoves, or other apparatus (including amplifiers) that produce heat. 9. Do not defeat the safety purpose of the polarized or grounding-type plug. A polarized plug has two blades with one wider than the other. A grounding type plug has two blades and a third grounding prong. The wide blade or the third prong are provided for your safety. If the provided plug does not fit into your outlet, consult an electrician for replacement of the obsolete outlet. 10. Protect the power cord from being walked on or pinched particularly at plugs, convenience receptacles, and the point where they exit from the apparatus. 	<ol style="list-style-type: none"> 11. Only use attachments/accessories specified by the manufacturer. 12. Use only with the cart, stand, tripod, bracket, or table specified by the manufacturer, or sold with the apparatus. When a cart is used use caution when moving the cart/apparatus combination to avoid injury from tip-over. <div style="text-align: center;">  </div>	<ol style="list-style-type: none"> 13. Unplug this apparatus during lightning storms or when unused for long periods of time. 14. Refer all servicing to qualified service personnel. Servicing is required when the apparatus has been damaged in any way, such as power-supply cord or plug is damaged, liquid has been spilled or objects have fallen into the apparatus, the apparatus has been exposed to rain or moisture, does not operate normally, or has been dropped. 15. WARNING: To reduce the risk of fire or electric shock, this apparatus should not be exposed to rain or moisture and objects filled with liquids, such as vases, should not be placed on this apparatus. 16. To completely disconnect this equipment from the mains, disconnect the power supply cord plug from the receptacle. 17. The mains plug of the power supply cord shall remain readily operable. 18. Do not expose to dripping or splashing.

F

Nous vous remercions d'avoir choisi les enceintes Focal et de partager avec nous notre philosophie "the Spirit of Sound". Ces enceintes de haute technicité intègrent les ultimes perfectionnements Focal en matière de conception de haut-parleurs pour la haute fidélité et le home cinéma. Afin d'exploiter toutes leurs performances, nous vous conseillons de lire les instructions de ce livret puis de le conserver avec précaution pour vous y référer ultérieurement.

GB

Thank you for choosing Focal loudspeakers. We are pleased to share with you our philosophy: "the Spirit of Sound". These high-performance speakers feature the latest technical developments from Focal in terms of speaker design, whether it is for high fidelity or home theater systems. In order to enjoy the maximum of their performance, we advise you to read this user's manual and to keep it carefully so that you can consult it later.

D

Vielen Dank, dass Sie sich Für Focal lautsprecher entschieden haben. Gerne teilen wir mit Ihnen unsere Philosophie: "The Spirit of Sound". Was das design von HiFi Und Heimkinosystemen anbelangt, bieten diese Hochleistungslautsprecher den neuesten technischen Stand von Focal. Um diese lautsprecher voll nutzen und ihre Maximalleistung genießen zu können, sollten Sie das Benutzerhandbuch sorgfältig lesen und für die spätere Einsichtnahme gut aufbewahren.

Die Focal-JMlab Garantie findet nur Anwendung, wenn die beigefügte Garantiekarte innerhalb von 10 Tagen nach Kauf bei uns eingeht.

ES

Gracias por elegir sistemas de altavoces de Focal. Nos complace compartir con usted nuestra filosofía: "The Spirit of Sound". Estos sistemas de altavoces de altas prestaciones de Focal se caracterizan por estar dotados de los últimos avances tecnológicos de Focal en términos de diseño, tanto para sistemas de alta fidelidad como de Home Cinema. Con el objetivo de que disfrute al máximo de las prestaciones de los equipos le recomendamos lea este manual detenidamente y conserve el mismo para futuras consultas.

La garantía Focal solo se aplicará si la tarjeta incluida en el embalaje es devuelta a nosotros en el plazo de diez días tras su compra.

I

Grazie per aver scelto i diffusori acustici Focal. Siamo felici di condividere con voi la nostra filosofia: "The Spirit of Sound". Questidiffusori ad alte prestazioni adottano gli ultimi sviluppi tecnici Focal in termini di design, sia per sistemi hi-fi, sia per home theater. Per godere il massimo delle loro prestazioni, vi invitiamo a leggere questo manuale e conservarlo per future consultazioni.

La garanzia Focal-JMlab è valida solo se il certificato viene rispedito entro 10 giorni dall'acquisto.

FI

Haluamme kiittää Teitä Focal-tuotten hankinnasta. Meillä on ilo jakaa kanssanne meidän filosofiamme: "The Spirit of Sound". Nämä huippulaadukkaat kaiuttimet edustavat viimeisintä teknologiaa, jota vain Focal voi tarjota, oli kyseessä sitten auto - ta kotikaiuttimet. Pyydämme teitä tutustumaan huolellisesti käyttöohjeisiin ennen kaiuttimien käyttöönottoa.

Focal-JMlab takuu on voimassa vain, jos takuukortti on palautettu meille 10 päivän sisällä ostosta.

RU

Спасибо за то, что Вы выбрали акустические системы Focal. Мы рады поделиться с Вами нашей философией: «Сущность звука». Эти высококачественные акустические системы объединили в себе последние технические достижения Focal в сфере разработки динамиков. Системы домашнего кинотеатра Focal, способны обеспечить высококачественное звучание любимой музыки и кинофонограмм. Для того, чтобы насладиться их лучшими качествами, мы советуем Вам ознакомиться с этой инструкцией и сохранить ее для последующих справок.

Гарантия Focal-JMlab распространяется только в случае, если гарантийная карточка будет возвращена нам в течение 10 дней с даты покупки.

CN

祝贺和感谢您购买法国 Focal Sib & Cub3 扬声器。我们很高兴能与您分享我们的理念：「声音的热情追求，音乐的极限发挥」。无论是高品质音响或家庭影院系统，这高性能扬声器俱备Focal最新技术发展音箱设计和声音放大技术，高品质音响或家庭影院系统均有出色表现。为了能享受产品的最佳表现，我们建议您阅读本用户手册，并妥善保存以便您随时参考。

J

フォーカルスピーカーをお選び頂きましてありがとうございます。
「サウンドのエスプリ」をお客様と共に分かち合える機会を得ましたこと最大の喜びです。
フォーカル社はハイファイ及びホームシアターシステム ユースに関わらず、常に将来を見据えた最新技術を投入していることがこれらの高性能スピーカーシステムの最大の特徴です。

最大限の性能を楽しむために、この取扱説明書をご熟読のうえ保管してください。

SIB&CUB³

User manual

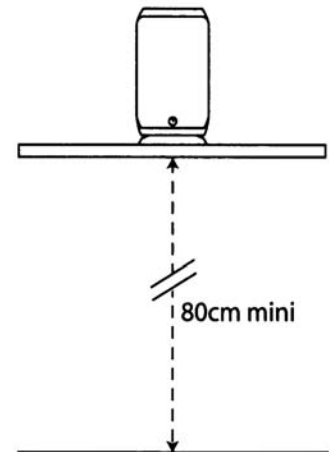
English

Sib

Placement

A - On a shelf

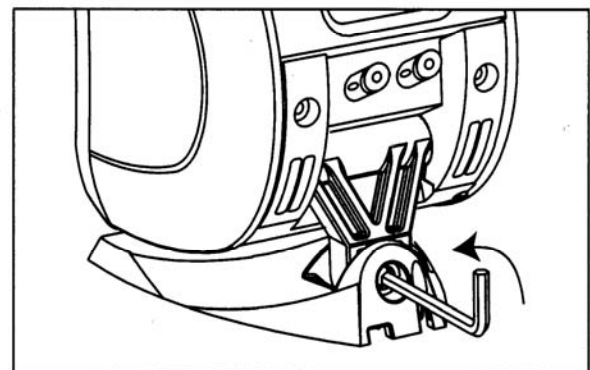
Place the loudspeakers equally spaced either side of the listening position. It is advisable to place Sib at least 80cm from the floor for a better sound stage.



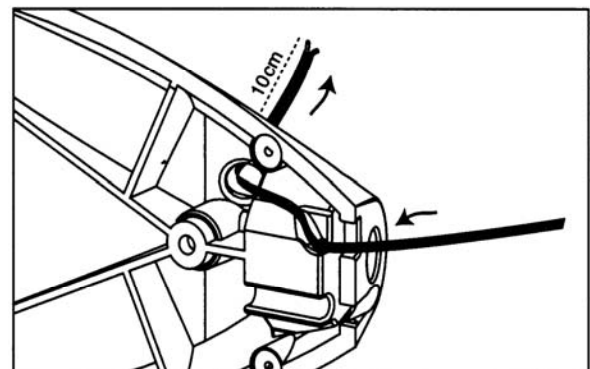
B - Wall fixing

1. Before drilling any holes, check carefully that there are no electrical cables or pipes in the wall.

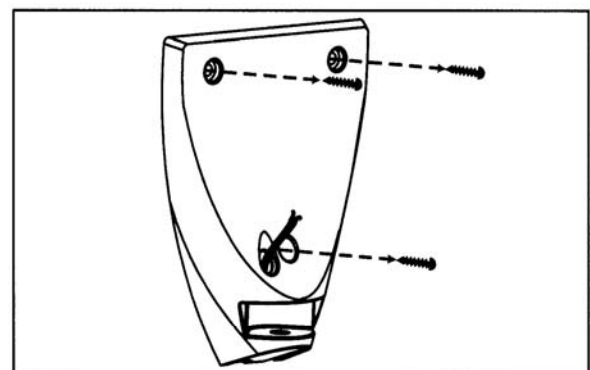
2. Use the hexagonal key supplied in the base of the Sib to unscrew the bolt that holds the base to the support bracket



3. Connecting Sib : see section "connections" page 15. Feed the cable through the base piece as indicated in the diagram. Leave around 10cm of free cable to facilitate connection.



4. Use the base as a template to mark the position of the three fixing screws on the wall. The three fixing holes should be drilled with a 6mm masonry bit and the plastic wall plugs firmly inserted until they are flush with the wall surface. Fix the base with the three screws supplied.

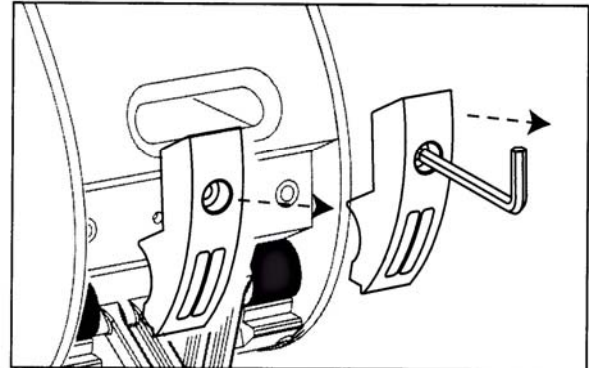


SIB&CUB³

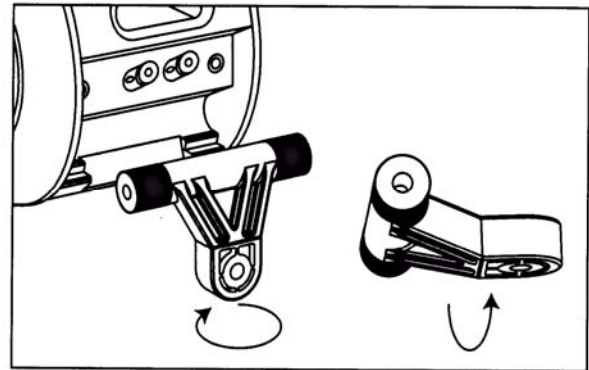
User manual

14

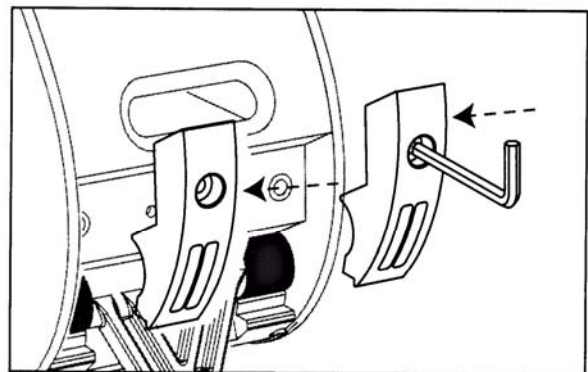
5. Unscrew the two fixing clamps.



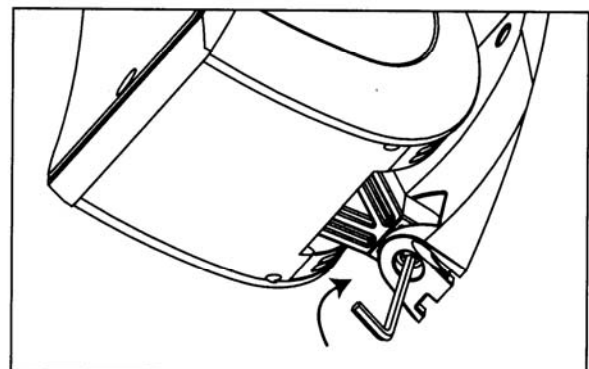
6. Remove the silver support piece, turn it 180°, and reposition the support so that it will fit horizontally with the wall mounted base.



7. Re-mount the two clamps and screw them firmly in place.



8. Connect up the loudspeaker cables and re-fix the Sib onto its wall mounted base.



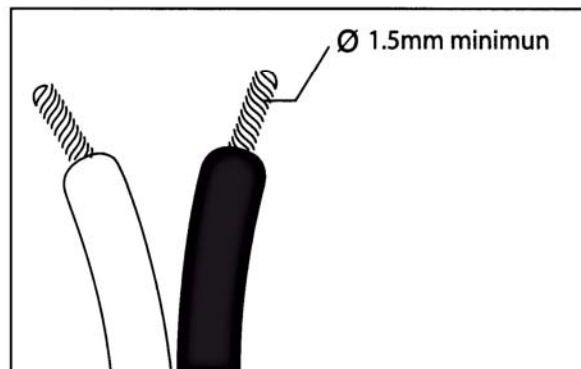
SIB&CUB³

User manual

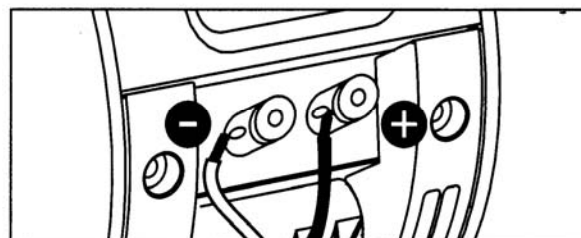
15

Connexion

As with any performance product, Sib should be connected to the amplifier using a high quality pure copper cable of at least \varnothing 1.5mm.



Connect the "+" from the amplifier to the "+" on the Sib (red) and the "-" from the amplifier to the "-" of the Sib (black).



Specifications

Description	2-way bass reflex multi-purpose loudspeaker
Drivers	One 125mm woofer midrange
L.F. (-6dB point)	One 19mm shielded tweeter
Frequency response (+/- 3dB)	75Hz - 20kHz
Efficiency (2.8V/1m)	90 dB
Nominal impedance (EN 60065)	6 ohms
Crossover frequencies	3kHz
Maximal power handling with musical program	75W
Recommended amplifier	35 - 100W
Total dimensions (HxWxD)	247mm x 142mm x 164mm
Net weight	2.1kg

SIB&CUB³

User manual

16

Cub3

Specifications

21cm (11") subwoofer: polypropylene cone.

BASH® 150Wrms amplifier: high-performance digital amplification technology for high power and high quality sound.

Phase selector: subwoofer/loudspeaker coupling optimization.

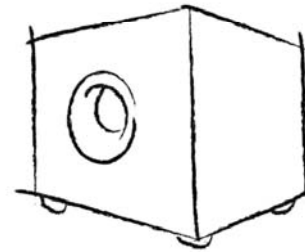
Auto on/standby system: the BASH® amplifier automatically switches on or off (standby).

Soft clipping: avoids saturation.

LFE direct input: direct mono input to connect to the subwoofer output of home theatre amplifiers.

MDF manufactured enclosure: rigid cabinets free of internal resonance.

Profiled vent port: vigorous bass reproduction, no distortion effect.



Settings

Autopower

The Cub³ features an automatic audio signal detector.

When the *power* control is set on auto-mode, the subwoofer will automatically switch on as soon as an audio signal is detected. When set to *power on*, the signal detector is disabled and the subwoofer is continuously on.

Conversely, if no signal is detected during a period of about 3 minutes, the detector automatically sets the subwoofer to standby mode.

If you expect not to use the subwoofer for a long period, it is recommended to set the power selector to "off".

In case of stormy weather, unplug the power cable.



SIB&CUB³

User manual

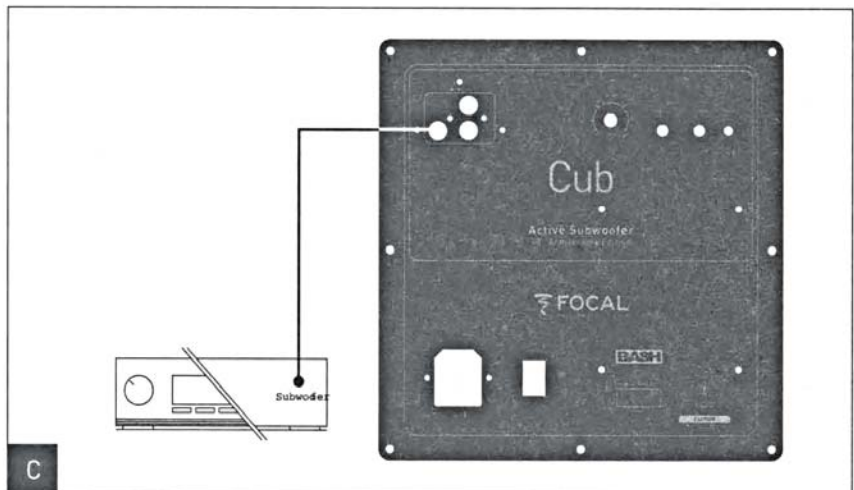
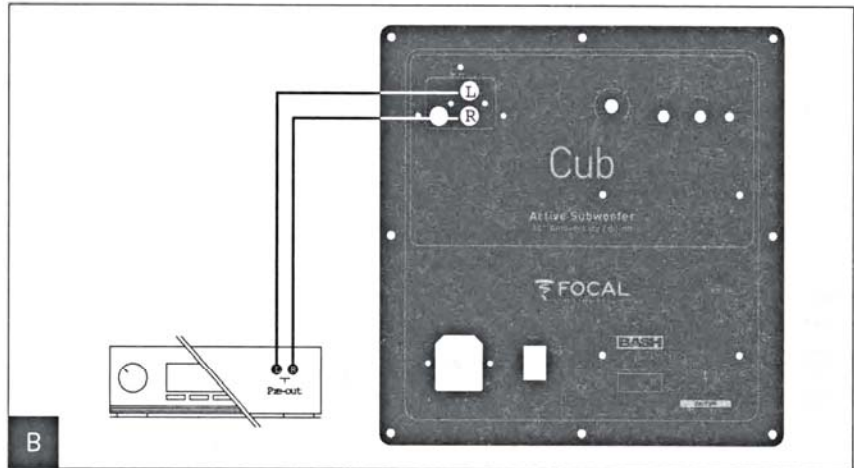
Connections

Low-level inputs on RCA

When using a two-channel amplifier with pre-out line outputs, the Cub³ must be connected through RCA stereo inputs "line inputs Right/Left" (fig. A).

LFE input

When using an audio/video multi-channel amplifier, the single LFE input of the Cub³ should be connected to the mono "Subwoofer" output of the audio/video amplifier (fig. B). In that case, all controls of the Cub³ will be off, except the volume control. Considering the fact that the audio/video amplifier already features all the necessary functions, this configuration is recommended for home theatre use only.



SIB&CUB³

User manual

18

Positioning

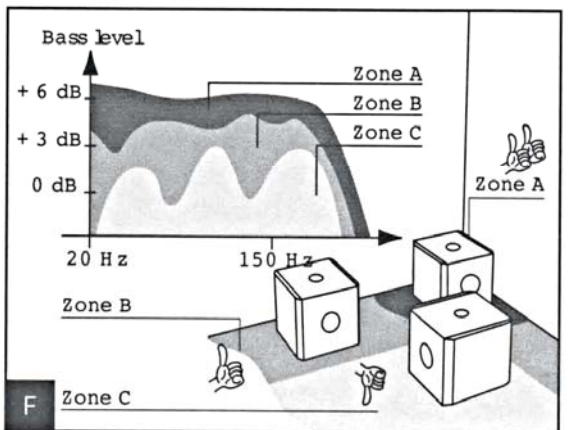
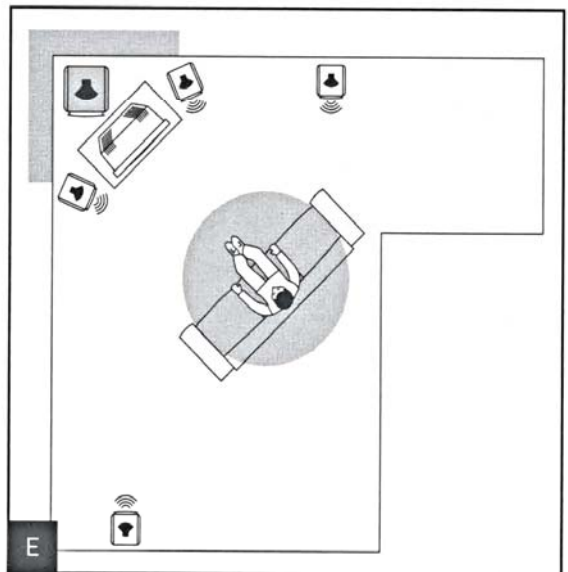
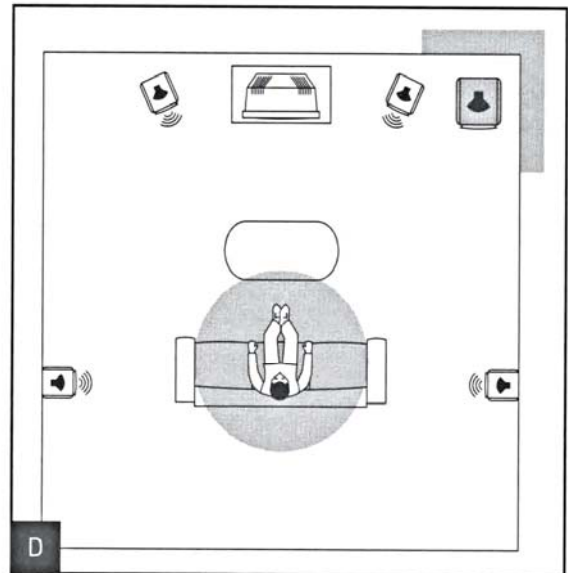
Contrary to conventional high fidelity loudspeakers which have to be placed at a reasonable distance from walls and the listening area corners, we advise you to place your Cub³ subwoofer in a corner of the listening area. If the subwoofer is placed against only one wall or too far from the walls, the very large wavelength of the bass delivered by the subwoofer will excite the resonance of the listening room in an unpredictable way. Frequency response linearity will then be damaged and therefore the sound rendition will be affected (*lack of depth, "boomy sound", poor bass, difficult or impossible coupling with the other used loudspeakers*).

If you put the Cub³ in a corner, the resonant frequencies of the room will be more linear and predictable. In such a configuration, you will not only benefit from an optimum perception of the bass frequency range but the bass level will also be increased by 6dB.

If a particular disposition of the room does not allow to place the subwoofer in a corner, we recommend you to try different configurations until you find the best possible disposition.

Generally, the subwoofer should be placed along the front wall of the listening room.

Because the bass frequency waves are omni-directional, the sound dispersion will not be affected if a piece of furniture or an object is placed between the subwoofer and the listening area.



SIB&CUB³

User manual

19

Running-in period

The driver used in the Cub² is made up of complex mechanical elements and requires an adaptation period before it delivers the best of its performances. They must get adapted to the temperature and humidity conditions of their environment. This breaking-in period depends upon the encountered conditions and can last several weeks. In order to shorten this period, we advise you to let your subwoofer operate for about twenty hours at medium level, playing standard music programs, but with a large amount of bass. Once the components of the speaker are completely stabilized, it is possible to enjoy the true performances of your self powered subwoofer.

Specifications

Description	compact bass-reflex active subwoofer, 150W BASH® built in amplifier,
Driver	8" (210mm)
L.F. (-6dB)	35Hz
Frequency response (+/- 3dB)	40Hz - 120Hz
Crossover frequencies	120Hz
Inputs	line-in stereo direct line-in (LFE)
Nominal power (RMS)	100W
Peak power	150W
Phase	0°/180°
Power function	on/off/standby
Total dimensions (HxWxD)	333mm x 300mm x 300mm 13.1"x12"x12"
Net weight	11kg (22.lbs)

Conditions of guarantee

All Focal loudspeakers are covered by guarantee drawn up by the official Focal distributor in your country. Your distributor can provide all details concerning the conditions of guarantee. Guarantee cover extends at least to that granted by the legal guarantee in force in the country where the original purchase invoice was issued.



Your Focal-JMLab product was developed and manufactured with high-quality materials and components which can be recycled and/or re-used. This symbol indicates that electrical and electronic equipment must be disposed of separately from normal garbage at the end of its operational lifetime. Please dispose of this product by bringing it to your local collection point or recycling centre for such equipment. This will help to protect the environment in which we all live.



Su producto Focal-JMlab ha sido concebido y fabricado con materiales y componentes de alta calidad, que pueden ser reciclados y reutilizados. Este símbolo significa que los aparatos eléctricos y electrónicos, al final de su vida útil, deberán ser separados de los residuos domésticos y reciclados. Rogamos llevar este aparato al punto de recogida de su municipio o a un centro de reciclaje. Por favor, contribuya Vd. también en la conservación del ambiente en que vivimos.



Deres Focal-JMlab-produkt er designet og fremstillet med materialer og komponenter af høj kvalitet, som kan recycles og genbruges. Dette symbol betyder, at elektriske og elektroniske apparater skal bortskaffes adskilt fra det almindelige husholdningsaffald, når de ikke længere bruges. Aflever dette apparat på Deres lokale kommunale genbrugsstation eller på genbrugscentret. Hjælp med at passe på det miljø, vi lever i.



Ihr Focal-JMlab-Produkt wurde mit hochwertigen Materialien und Komponenten entworfen und hergestellt, die recycelbar sind und wieder verwendet werden können. Dieses Symbol bedeutet, dass elektrische und elektronische Geräte am Ende ihrer Nutzungsdauer vom Hausmüll getrennt entsorgt werden müssen. Bitte entsorgen Sie dieses Gerät bei Ihrer örtlichen kommunalen Sammelstelle oder im Recycling Centre. Bitte helfen Sie mit, die Umwelt in der wir leben, zu erhalten.



Tämä Focal-JMlab-tuote on suunniteltu ja valmistettu korkealaatuisista materiaaleista ja komponenteista, joita voidaan kierrättää ja käyttää uudelleen. Tämä symboli tarkoittaa, että sähkölaitteet ja elektroniset laitteet tulee hävittää erillään kotitalousjätteestä, kun niitä ei enää käytetä. Jätä tämä laite paikkakuntasi kunnalliseen keräyspisteeseen tai kierrätyskeskukseen. Auta meitä säästämään luontoa, jossa elämme.



Il vostro prodotto Focal-JMlab è stato progettato e realizzato con materiali e componenti pregiati che possono essere riciclati e riutilizzati. Questo simbolo significa che gli apparecchi elettrici ed elettronici devono essere smaltiti separatamente dai rifiuti domestici alla fine del loro utilizzo. Vi preghiamo di smaltire questo apparecchio negli appositi punti di raccolta locali o nei centri preposti al riciclaggio. Contribuite anche voi a tutelare l'ambiente nel quale viviamo.



Az Ön által vásárolt Focal-JMlab termék kiváló minőségű, újrahasznosítható és/vagy újra felhasználható anyagok és komponensek felhasználásával készült. Ez a szimbólum azt jelzi, hogy az elektromos és elektronikus készüléket a normális hulladéktól elkülönítetten kell kidobni, amikor élettartama végére ért. A termék kidobásakor kérjük, vigye azt a helyi gyűjtőponthoz, vagy az ilyen készülékek számára fenntartott újrahasznosító központba! Ezzel hozzájárulhat környezetünk megóvásához, amelyben mindannyian élünk.



Uw Focal-JMlab-Product is ontworpen voor en gebouwd uit hoogwaardige materialen en componenten die gerecycled kunnen worden en dus geschikt zijn voor hergebruik. Dit symbool betekent, dat elektrische en elektronische apparatuur aan het einde van zijn levensduur gescheiden van het huisvuil apart moet worden ingeleverd. Breng dit apparaat naar een van de plaatselijke verzamelpunten of naar een kringloopwinkel. Help s.v.p. mee, het milieu waarin we leve te beschermen.



Váš výrobok Focal-JMlab bol navrhnutý a vyrobený z vysoko kvalitných materiálov a komponentov, ktoré je možné recyklovať a znovu použiť. Tento symbol znamená, že sa elektrické a elektronické prístroje po uplynutí svojej životnosti musia likvidovať oddelene od domáceho odpadu. Odovzdajte preto prosím tento prístroj k likvidácii v miestne príslušnom komunálnom zbernom dvore alebo k recyklácii v príslušnom recyklačnom stredisku. Pomôžte nám prosím pri ochrane životného prostredia.



O seu produto Focal-Jmlab foi concebido e fabricado, utilizando materiais e componentes de alta qualidade que, podem ser reciclados e reutilizados. Este símbolo significa que, no fim da sua vida útil, equipamentos eléctricos e electrónicos devem ser eliminados separadamente dos resíduos sólidos domésticos. Por favor, entregue este equipamento ao respectivo ecoponto local ou comunal ou ao centro de reciclagem competente. Por favor, ajude-nos a preservar o meio ambiente em que vivemos.



Produkt Focal-JMlab został zaprojektowany i wykonany z materiałów i elementów wysokiej jakości, nadających się do recyklingu i ponownego wykorzystania. Symbol ten oznacza, że sprzęt elektryczny i elektroniczny należy utylizować po zakończeniu użytkowania odrębnie od odpadów domowych. Sprzęt należy utylizować w komunalnym punkcie zbiórki lub w punkcie recyklingu. Pomóżcie i Wy chronić środowisko, w którym żyjemy.

PL



Vaš Focal-JMlab proizvod je zasnovan in izdelan iz visoko kakovostnih materialov in komponent, ki so obnovljive in jih je mogoče ponovno uporabiti.

Ta simbol pomeni, da je potrebno električne in elektronske naprave po izteku njihove uporabne dobe, odvesti ločeno od gospodinjstskih odpadkov.

SLO

Naprošamo vas, da napravo oddate na vašem lokalnem komunalnem zbirnem mestu ali v reciklažnem centru.

Naprošamo vas za sodelovanje pri pomoči ohranjanja našega življenjskega prostora.



Jūsų Focal-JMlab gaminys buvo sukurtas ir pagamintas panaudojant aukštos kokybės medžiagas ir komponentus, kuriuos galima perdirbti ir/arba panaudoti pakartotinai.

Šis simbolis nurodo, kad elektrinius ir elektroninius įtaisus, pasibaigus jų eksploataavimo laikotarpiui, reikia utilizuoti atskirai nuo įprastinių buitinių atliekų.

LT

Jeigu šio gaminio tarnavimo laikas baigėsi, tai prašome perduoti jį specialių atliekų surinkimo arba perdirbimo įmonei.

Tai padės apsaugoti aplinką, kurioje mes visi gyvename.



To Focal-JMlab προϊόν σας αναπτύχθηκε και κατασκευάστηκε με υψηλής ποιότητας υλικά και συστατικά τα οποία μπορούν να ανακυκλωθούν ή να ξαναχρησιμοποιηθούν.

Αυτό το σύμβολο δηλώνει ότι οι ηλεκτρικές και ηλεκτρονικές συσκευές πρέπει να πετιούνται ξεχωριστά από τα κανονικά σας σκουπίδια στο τέλος του χρόνου λειτουργίας τους.

GR

Παρακαλείστε να πετάτε αυτό το προϊόν με το να το φέρετε το οικείο σας σημείο ή κέντρο ανακύκλωσης για κάθε συσκευή.

Αυτό θα σας βοηθήσει να προστατέψετε το περιβάλλον στο οποίο όλοι ζούμε.



Focal-JMlabs produkter har konstruerats och tillverkats av högkvalitativa material och komponenter som kan återvinnas och återanvändas. Symbolen innebär att uttjänade elektriska och elektroniska apparater måste tas om hand separerat från hushållsavfallet. Lämna apparaten på kommunens insamlingsställen eller återvinningscentraler. Hjälp oss att skydda vår miljö.

SE



Váš výrobek Focal-JMlab byl navržen a vyroben z vysoce kvalitních materiálů a komponent, které lze recyklovat a znovu použít.

Tento symbol znamená, že se elektrické a elektronické přístroje po uplynutí své životnosti musejí likvidovat odděleně od domácího odpadu.

CZ

Odevzdejte proto prosím tento přístroj k likvidaci v místně příslušném komunálním sběrném dvoře nebo k recyklaci v příslušném recyklačním středisku.

Pomozte nám prosím při ochraně životního prostředí.



Šis Focal-JMlab produkts ir izstrādāts un ražots, izmantojot augstas kvalitātes materiālus un komponentus, kurus var otrreizēji pārstrādāt un/vai lietot atkārtoti.

Šis simbols norāda, ka elektriskās un elektroniskās ierīces pēc to kalpošanas laika beigām jālikvidē atsevišķi no parastajiem atkritumiem.

LV

Lūdzu, likvidējiet šo produktu, tikai nododot vietējā savākšanas punktā vai pārstrādes centrā, kas paredzēti šādai tehnikai.

Šādi jūs palīdzēsiet aizsargāt vidi, kurā mēs visi dzīvojam.



Teie Focal-JMlab toode on välja töötatud ning toodetud kõrgkvaliteetses materjalist ning osades, mida on võimalik ümber töödelda ning/või korduvkasutada. Antud märgis näitab, et elektri- ja elektroonikaseadmeid peab nende kasutusaja lõppemisel kõrvaldama lahus muudest jäätmetest. Palun viige toode kõrvaldamiseks teie kohalikku jäätmete kogumiskohta või antud seadme ümbertöötamiskeskusse. See aitab kaitsta meid ümbritsevat keskkonda.

SE

Garantie France

Pour validation de la garantie Focal, merci de nous retourner cette page dans les 10 jours, à l'adresse suivante :

Focal-JMlab - BP 374 - 108, rue de l'Avenir - 42353 La Talaudière cedex - FRANCE

Il est maintenant possible d'enregistrer son produit en ligne : www.focal.com/garantie

Modèle : _____ N° de série : _____

Nom du revendeur : _____ Ville : _____

Date de l'achat : _____ Prix de l'achat : _____

Votre nom : _____ Âge : _____ Profession : _____

Votre adresse complète : _____

Votre adresse email : _____

Composition de votre installation (marque, modèle) :

■ iPod, iPad, iPhone®: _____ ■ Autre lecteurs de musique portable : _____

■ Tuner / Web Radio : _____ ■ DVD : _____

■ Blu Ray : _____ ■ CD / SACD : _____

■ Satellite / TNT : _____ ■ Ecran plat : _____

■ Amplificateur : _____ ■ Autres : _____

Votre choix pour l'achat de ce modèle Focal s'est fait en fonction de :

Conseil du revendeur Conseil d'amis, relation

Visite d'exposition, salon Article de presse

Ecoute en auditorium Possède déjà Focal

Fiabilité / Qualité Catalogues

Réputation Matériel Français

Garantie Rapport qualité / prix

Esthétique / Finition Autre _____

Son

En cas de renouvellement, quelles étaient vos précédentes enceintes acoustiques ? _____

Dites en quelques mots pourquoi vous avez choisi Focal... _____

Vos annotations éventuelles : _____

Nous garantissons la confidentialité de ces informations.

Dans un but d'évolution, Focal-JMlab se réserve le droit de modifier les spécifications techniques de ses produits sans préavis. Images non contractuelles.

International Guarantee

The Focal guarantee only applies if this page is returned to us within 10 days of purchase, to the following address:

Focal-JMLab - BP 374 - 108, rue de l'Avenir - 42353 La Talaudière cedex - FRANCE

Now it's possible to register on line : www.focal.com/warranty

Model: _____ Serial number: _____

Name of dealer: _____ Town: _____

Date of purchase: _____ Purchase price: _____

Your name: _____ Age: _____ Occupation: _____

Your complete address: _____

Your email address: _____

Details of your installation (brand, model):

■ iPod, iPad, iPhone®: _____ ■ Other music players: _____

■ Tuner / Web Radio: _____ ■ DVD: _____

■ Blu Ray: _____ ■ CD / SACD: _____

■ Satellite / TNT: _____ ■ Flat screen: _____

■ Amplifier: _____ ■ Others: _____

Your decision for purchasing this Focal model was made according to:

- | | |
|---|---|
| <input type="checkbox"/> Dealer's advice | <input type="checkbox"/> Friend's advice |
| <input type="checkbox"/> Visit to an exhibition, show | <input type="checkbox"/> Press article |
| <input type="checkbox"/> Listening in auditorium | <input type="checkbox"/> Already own Focal products |
| <input type="checkbox"/> Reliability / Quality | <input type="checkbox"/> Documentation |
| <input type="checkbox"/> Reputation | <input type="checkbox"/> French produce |
| <input type="checkbox"/> Guarantee | <input type="checkbox"/> Quality / Price ratio |
| <input type="checkbox"/> Design / Finishes | <input type="checkbox"/> Other _____ |
| <input type="checkbox"/> Sound | |

In case of purchase of new equipment, what were your former speakers ? _____

Explain in a few words why you choose Focal... _____

Further comments: _____

The information given on this page will remain confidential.

Due to constant technological advances, Focal reserves its right to modify specifications without notice. Images may not conform exactly to specific product.

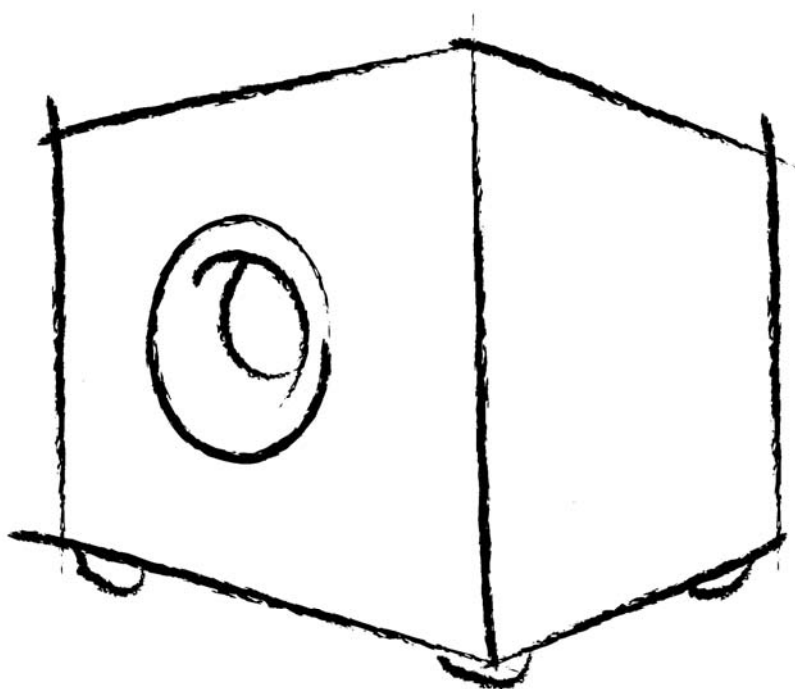


CE

Focal-JMlab® - BP 374 - 108, rue de l'Avenir - 42353 La Talaudière cedex - France - www.focal.com
Tel. (+33) 04 77 43 57 00 - Fax (+33) 04 77 43 57 04 - SCEB-120106/2 - codo1338

Cub³

User manual / Manuel d'utilisation / 用户手册



CONFORMITY

An example of this equipment has been tested and found to comply with the following European directives and international standards:
Electromagnetic compatibility EN 55103 / Electrical safety EN 60065

DÉCLARATION DE CONFORMITÉ

Un échantillon de ce produit a été testé comme étant en conformité avec les directives européennes et autres standards internationaux suivants : Compatibilité électromagnétique EN 55103 / Sécurité électrique EN 60065

符合

符合 这种设备样本已经过测试,并符合以下欧洲法规和国际标准:电磁兼容性EN55103/电气安全EN60065

English page 13

Français page 16




中文19頁



FOCAL
THE SPIRIT OF SOUND

READ FIRST ! IMPORTANT SAFETY INSTRUCTIONS !



	<div style="border: 1px solid black; padding: 5px; text-align: center;"> <p>CAUTION</p> <p>RISK OF ELECTRIC SHOCK DO NOT OPEN</p> </div>	
<p>The lightning flash with arrowhead symbol within an equilateral triangle, is intended to alert the user to the presence of uninsulated "dangerous voltage" within the product's enclosure that may be of sufficient magnitude to constitute a risk of electric shock to persons.</p>	<p>Caution : to prevent yhe risk of electric shock, do not remove cover (or back). No user-serviceable parts inside. Refer servicing to qualified service personnel.</p>	<p>The exclamation point within an equilateral triangle is intended to alert the user to the presence of important operating and maintenance (servicing) instructions in the literature accompanying the product.</p>
<ol style="list-style-type: none"> 1. Read these instructions. 2. Keep these instructions. 3. Heed all warnings. 4. Follow all instructions. 5. Do not use this apparatus near water. 6. Clean only with dry cloth. 7. Do not block any ventilation openings. Install in accordance with the manufacturer's instructions. 8. Do not install near any heat sources such as radiators, heat registers, stoves, or other apparatus (inlcuding amplifiers) that produce heat. 9. Do not defeat the safety purpose of the polarized or grounding-type plug. A polarized plug has two blades with one wider than the other. A grounding type plug has two blades and a third grounding prong. The wide blade or the third prong are provided for your safety. If the provided plug does not fit into your outlet, consult an electrician for replacement of the obsolete outlet. 10. Protect the power cord from being walked on or pinched particularly at plugs, convenience receptacles, and the point where they exit from the apparatus. 	<ol style="list-style-type: none"> 11. Only use attachments/accessories specified by the manufacturer. 12. Use only with the cart, stand, tripod, bracket, or table specified by the manufacturer, or sold with the apparatus. When a cart is used use caution when moving the cart/apparatus combination to avoid injury from tip-over. <div style="text-align: center; margin-top: 20px;">  </div>	<ol style="list-style-type: none"> 13. Unplug this apparatus during lightning storms or when unused for long periods of time. 14. Refer all servicing to qualified service personnel. Servicing is required when the apparatus has been damaged in any way, such as power-supply cord or plug is damaged, liquid has been spilled or objects have fallen into the apparatus, the apparatus has been exposed to rain or moisture, does not operate normally, or has been dropped. 15. WARNING: To reduce the risk of fire or electric shock, this apparatus should not be exposed to rain or moisture and objects filled with liquids, such as vases, should not be placed on this apparatus. 16. To completely disconnect this equipment from the mains, disconnect the power supply cord plug from the receptacle. 17. The mains plug of the power supply cord shall remain readily operable. 18. Do not expose to dripping or splashing.

F

Nous vous remercions d'avoir choisi les enceintes Focal et de partager avec nous notre philosophie "the Spirit of Sound". Ces enceintes de haute technicité intègrent les ultimes perfectionnements Focal en matière de conception de haut-parleurs pour la haute fidélité et le home cinéma. Afin d'exploiter toutes leurs performances, nous vous conseillons de lire les instructions de ce livret puis de le conserver avec précaution pour vous y référer ultérieurement.

GB

Thank you for choosing Focal loudspeakers. We are pleased to share with you our philosophy: "the Spirit of Sound". These high-performance speakers feature the latest technical developments from Focal in terms of speaker design, whether it is for high fidelity or home theater systems. In order to enjoy the maximum of their performance, we advise you to read this user's manual and to keep it carefully so that you can consult it later.

D

Vielen Dank, dass Sie sich Für Focal lautsprecher entschieden haben. Gerne teilen wir mit Ihnen unsere Philosophie: "The Spirit of Sound. Was das design von HiFi Und Heimkinosystemen anbelangt, bieten diese Hochleistungslautsprecher den neuesten technischen Stand von Focal. Um diese lautsprecher voll nutzen und ihre Maximalleistung genießen zu können, sollten Sie das Benutzerhandbuch sorgfältig lesen und für die spätere Einsichtnahme gut aufbewahren.

Die Focal-JMLab Garantie findet nur Anwendung, wenn die beigefügte Garantiekarte innerhalb von 10 Tagen nach Kauf bei uns eingeht.

ES

Gracias por elegir sistemas de altavoces de Focal. Nos complace compartir con usted nuestra filosofía: "The Spirit of Sound". Estos sistemas de altavoces de altas prestaciones de Focal se caracterizan por estar dotados de los últimos avances tecnológicos de Focal en términos de diseño, tanto para sistemas de alta fidelidad como de Home Cinema. Con el objetivo de que disfrute al máximo de las prestaciones de los equipos le recomendamos lea este manual detenidamente y conserve el mismo para futuras consultas.

La garantía Focal solo se aplicará si la tarjeta incluida en el embalaje es devuelta a nosotros en el plazo de diez días tras su compra.

I

Grazie per aver scelto i diffusori acustici Focal. Siamo felici di condividere con voi la nostra filosofia: "The Spirit of Sound". Questidiffusori ad alte prestazioni adottano gli ultim sviluppi tecnici Focal in termini di design, sia per sistemi hi-fi, sia per home theater. Per godere il massimo delle loro prestazioni, vi invitiamo a leggere questo manuale e conservarlo per future consultazioni.

La garanzia Focal-JMLab è valida solo se il certificato viene rispedito entro 10 giorni dall'acquisto.

FI

Haluamme kiittää Teitä Focal-tuotten hankinnasta. Meillä on ilo jakaa kanssanne meidän filosofiamme: "The Spirit of Sound". Nämä huippulaadukkaat kaiuttimet edustavat viimeisintä teknologiaa, jota vain Focal voi tarjota, oli kyseessä sitten auto - ta kotikaiuttimet. Pyydämme teitä tutustumaan huolellisesti käyttöohjeisiin ennen kaiuttimien käyttöönottoa.

Focal-JMLab takuu on voimassa vain, jos takuukortti on palautettu meille 10 päivän sisällä ostosta.

RU

Спасибо за то, что Вы выбрали акустические системы Focal. Мы рады поделиться с Вами нашей философией: «Сущность звука». Эти высококачественные акустические системы объединили в себе последние технические достижения Focal в сфере разработки динамиков. Системы домашнего кинотеатра Focal, способны обеспечить высококачественное звучание любимой музыки и кинофонограмм. Для того, чтобы насладиться их лучшими качествами, мы советуем Вам ознакомиться с этой инструкцией и сохранить ее для последующих справок.

Гарантия Focal-JMLab распространяется только в случае, если гарантийная карточка будет возвращена нам в течение 10 дней с даты покупки.

CN

祝贺和感谢您购买法国 Sib&co 有源超低音扬声器。我们很高兴能与您分享我们的理念：“声音的热情追求，音乐的极限发挥”。无论是高品质音响或家庭影院系统，这高性能超低音扬声器俱备 FOCAL最新技术发展音箱设计和声音放大技术，无论是高品质音响或家庭影院系统均有出色表现。为了享受产品的最佳表现，我们建议您阅读本用户手册，并妥善保存以便您随时参考。

J

フォーカルスピーカーをお選び頂きましてありがとうございます。"サウンドのエスプリ"をお客様と共に分かち合える機会を得ましたこと最大の喜びです。フォーカル社はハイファイ及びホームシアターシステム ユースに関わらず、常に将来を見据えた最新技術を投入していることがこれらの高性能スピーカーシステムの最大の特徴です。

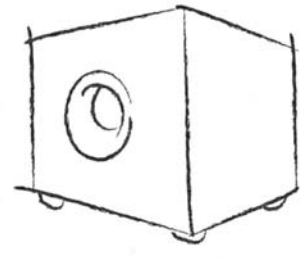
最大限の性能を楽しむために、この取扱説明書をご熟読のうえ保管してください。

CUB³

User manual

Specifications

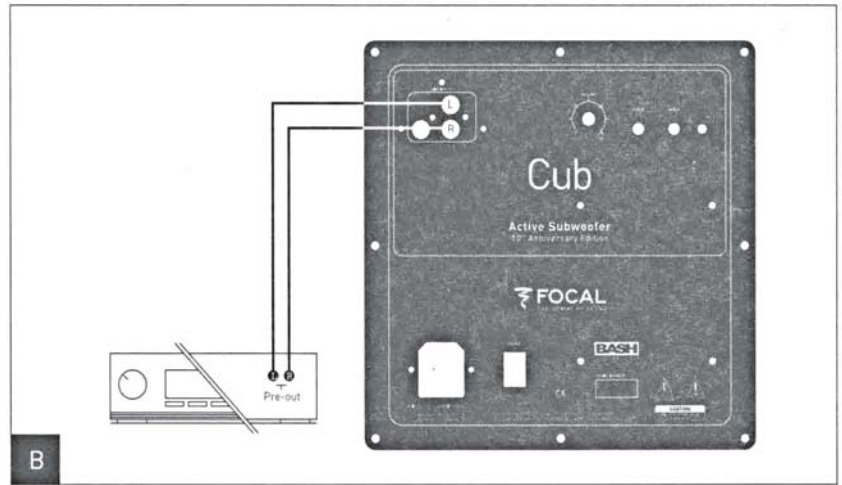
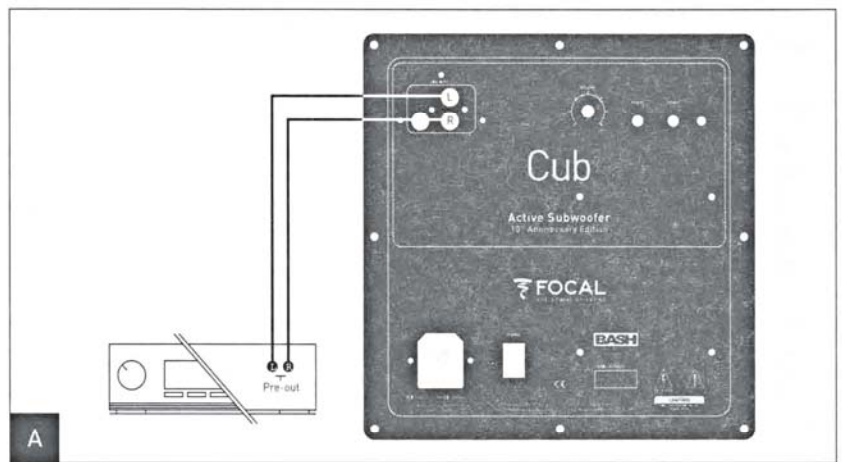
- 21cm (11") subwoofer: polypropylene cone.
- BASH® 150Wrms amplifier: high-performance digital amplification technology for high-power and high quality sound.
- Phase selector: subwoofer/loudspeaker coupling optimization.
- Auto on/standby system: the BASH® amplifier automatically switches on or off (standby).
- Soft-clipping: avoids saturation.
- LFE direct input: direct mono input to connect to the subwoofer output of home theatre amplifiers.
- MDF manufactured enclosure: rigid cabinets free of internal resonance.
- Streamlined vented port: vigorous bass reproduction, no distortion effect.



Connections

Low-level inputs on RCA
When using a two-channel amplifier with pre-out line outputs, the Cub³ must be connected through RCA stereo inputs "line inputs Right/Left" (fig. A).

LFE input
When using an audio/video multi-channel amplifier, the single LFE input of the Cub³ should be connected to the mono "Subwoofer" output of the audio/video amplifier (fig. B). In that case, all controls of the Cub³ will be off, except the volume control. Considering the fact that the audio/video amplifier already features all the necessary functions, this configuration is recommended for home theatre use only.



CUB³

User manual

Positioning

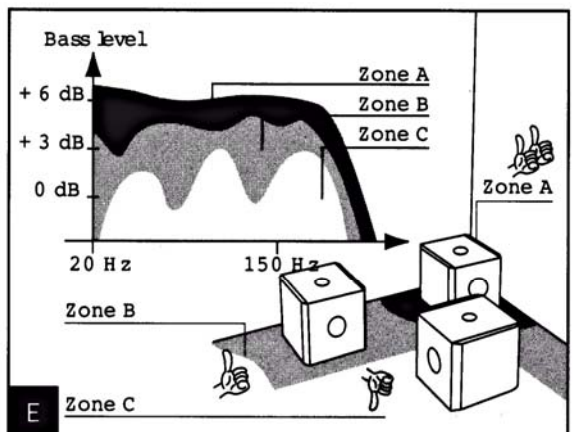
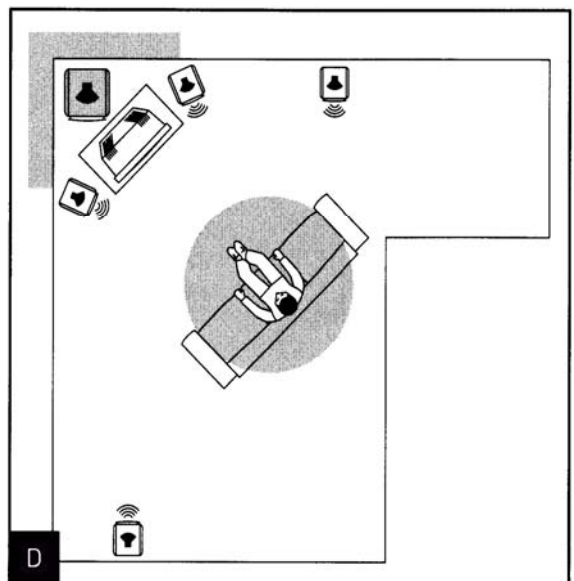
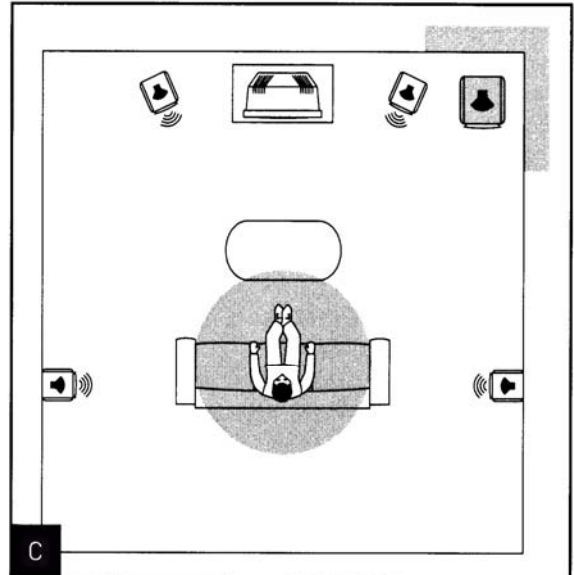
Contrary to conventional high-fidelity loudspeakers which have to be placed at a reasonable distance from walls and the listening area corners, we advise you to place your Cub³ subwoofer in a corner of the listening area. If the subwoofer is placed against only one wall or too far from the walls, the very large wavelength of the bass delivered by the subwoofer will excite the resonance of the listening room in an unpredictable way. Frequency response linearity will then be damaged and therefore the sound rendition will be affected (*lack of depth, "boomy sound", poor bass, difficult or impossible coupling with the other used loudspeakers*).

If you put the Cub³ in a corner, the resonant frequencies of the room will be more linear and predictable. In such a configuration, you will not only benefit from an optimum perception of the bass frequency range but the bass level will also be increased by 6dB.

If a particular disposition of the room does not allow to place the subwoofer in a corner, we recommend you to try different configurations until you find the best possible disposition.

Generally, the subwoofer should be placed along the front wall of the listening room.

Because the bass frequency waves are omni-directional, the sound dispersion will not be affected if a piece of furniture or an object is placed between the subwoofer and the listening area.



CUB³

User manual

15

Running-in period

The driver used in the Cub³ is made up of complex mechanical elements and requires an adaptation period before it delivers the best of its performance. It must get adapted to the temperature and humidity conditions of its environment. This breaking-in period depends upon the encountered conditions and can last several weeks. In order to shorten this period, we advise you to let your subwoofer operate for about twenty hours at medium level, playing standard music programs, but with a large amount of bass. Once the components of the speaker are completely stabilized, it is possible to enjoy the true performance of your self-powered subwoofer.

Specifications

Description	compact bass-reflex active subwoofer, 150W BASH® built-in amplifier
Driver	8" (210mm)
L.F. (-6dB)	35Hz
Frequency response (+/- 3dB)	40Hz - 120Hz
Crossover frequency	120Hz
Inputs	line-in stereo direct line-in (LFE)
Nominal power (RMS)	100W
Peak power	150W
Phase	0°/180°
Power function	on/off/standby
Total dimensions (HxWxD)	333mm x 300mm x 300mm 13.1"x12"x12"
Net weight	11kg (22.lb)

Conditions of guarantee

All Focal loudspeakers are covered by guarantee drawn up by the official Focal distributor in your country. Your distributor can provide all details concerning the conditions of guarantee. Guarantee cover extends at least to that granted by the legal guarantee in force in the country where the original purchase invoice was issued.



Your Focal-JMLab product was developed and manufactured with high-quality materials and components which can be recycled and/or re-used. This symbol indicates that electrical and electronic equipment must be disposed of separately from normal garbage at the end of its operational lifetime. Please dispose of this product by bringing it to your local collection point or recycling centre for such equipment. This will help to protect the environment in which we all live.



Su producto Focal-JMlab ha sido concebido y fabricado con materiales y componentes de alta calidad, que pueden ser reciclados y reutilizados. Este símbolo significa que los aparatos eléctricos y electrónicos, al final de su vida útil, deberán ser separados de los residuos domésticos y reciclados. Rogamos llevar este aparato al punto de recogida de su municipio o a un centro de reciclaje. Por favor, contribuya Vd. también en la conservación del ambiente en que vivimos.



Deres Focal-JMlab-produkt er designet og fremstillet med materialer og komponenter af høj kvalitet, som kan recycles og genbruges. Dette symbol betyder, at elektriske og elektroniske apparater skal bortskaffes adskilt fra det almindelige husholdningsaffald, når de ikke længere bruges. Aflever dette apparat på Deres lokale kommunale genbrugsstation eller på genbrugscentret. Hjælp med at passe på det miljø, vi lever i.



Ihr Focal-JMlab-Produkt wurde mit hochwertigen Materialien und Komponenten entworfen und hergestellt, die recycelbar sind und wieder verwendet werden können. Dieses Symbol bedeutet, dass elektrische und elektronische Geräte am Ende ihrer Nutzungsdauer vom Hausmüll getrennt entsorgt werden müssen. Bitte entsorgen Sie dieses Gerät bei Ihrer örtlichen kommunalen Sammelstelle oder im Recycling Centre. Bitte helfen Sie mit, die Umwelt in der wir leben, zu erhalten.



Tämä Focal-JMlab-tuote on suunniteltu ja valmistettu korkealaatuisista materiaaleista ja komponenteista, joita voidaan kierrättää ja käyttää uudelleen. Tämä symboli tarkoittaa, että sähkölaitteet ja elektroniset laitteet tulee hävittää erillään kotitalousjätteestä, kun niitä ei enää käytetä. Jätä tämä laite paikkakuntasi kunnalliseen keräyspisteeseen tai kierrätyskeskukseen. Auta meitä säästämään luontoa, jossa elämme.



Il vostro prodotto Focal-JMlab è stato progettato e realizzato con materiali e componenti pregiati che possono essere riciclati e riutilizzati. Questo simbolo significa che gli apparecchi elettrici ed elettronici devono essere smaltiti separatamente dai rifiuti domestici alla fine del loro utilizzo. Vi preghiamo di smaltire questo apparecchio negli appositi punti di raccolta locali o nei centri preposti al riciclaggio. Contribuite anche voi a tutelare l'ambiente nel quale viviamo.



Az Ön által vásárolt Focal-JMlab termék kiváló minőségű, újrahasznosítható és/vagy újra felhasználható anyagok és komponensek felhasználásával készült. Ez a szimbólum azt jelzi, hogy az elektromos és elektronikus készüléket a normális hulladéktól elkülönítetten kell kidobni, amikor élettartama végére ért. A termék kidobásakor kérjük, vigye azt a helyi gyűjtőponthoz, vagy az ilyen készülékek számára fenntartott újrahasznosító központba! Ezzel hozzájárulhat környezetünk megóvásához, amelyben mindannyian élünk.



Uw Focal-JMlab-Product is ontworpen voor en gebouwd uit hoogwaardige materialen en componenten die gerecycled kunnen worden en dus geschikt zijn voor hergebruik. Dit symbool betekent, dat elektrische en elektronische apparatuur aan het einde van zijn levensduur gescheiden van het huisvuil apart moet worden ingeleverd. Breng dit apparaat naar een van de plaatselijke verzamelpunten of naar een kringloopwinkel. Help s.v.p. mee, het milieu waarin we leve te beschermen.



Váš výrobok Focal-JMlab bol navrhnutý a vyrobený z vysoko kvalitných materiálov a komponentov, ktoré je možné recyklovať a znovu použiť.
Tento symbol znamená, že sa elektrické a elektronické prístroje po uplynutí svojej životnosti musia likvidovať oddelene od domáceho odpadu.
Odovzdajte preto prosím tento prístroj k likvidácii v miestne príslušnom komunálnom zbernom dvore alebo k recyklácii v príslušnom recyklačnom stredisku.
Pomôžte nám prosím pri ochrane životného prostredia.



O seu produto Focal-Jmlab foi concebido e fabricado, utilizando materiais e componentes de alta qualidade que, podem ser reciclados e reutilizados. Este símbolo significa que, no fim da sua vida útil, equipamentos eléctricos e electrónicos devem ser eliminados separadamente dos resíduos sólidos domésticos. Por favor, entregue este equipamento ao respectivo ecoponto local ou comunal ou ao centro de reciclagem competente. Por favor, ajude-nos a preservar o meio ambiente em que vivemos.



Produkt Focal-JMlab został zaprojektowany i wykonany z materiałów i elementów wysokiej jakości, nadających się do recyklingu i ponownego wykorzystania. Symbol ten oznacza, że sprzęt elektryczny i elektroniczny należy utylizować po zakończeniu użytkowania odrębnie od odpadów domowych. Sprzęt należy utylizować w komunalnym punkcie zbiórki lub w punkcie recyklingu. Pomóżcie i Wy chronić środowisko, w którym żyjemy.



Vaš Focal-JMlab proizvod je zasnovan in izdelan iz visoko kakovostnih materialov in komponent, ki so obnovljive in jih je mogoče ponovno uporabiti. Ta simbol pomeni, da je potrebno električne in elektronske naprave po izteku njihove uporabne dobe, odvesti ločeno od gospodinjskih odpadkov. Naprošamo vas, da napravo oddate na vašem lokalnem komunalnem zbirnem mestu ali v reciklažnem centru. Naprošamo vas za sodelovanje pri pomoči ohranjanja našega življenjskega prostora.



Jūsų Focal-JMlab gaminys buvo sukurtas ir pagamintas panaudojant aukštos kokybės medžiagas ir komponentus, kuriuos galima perdirbti ir/arba panaudoti pakartotinai. Šis simbolis nurodo, kad elektrinius ir elektroninius įtaisus, pasibaigus jų eksploatavimo laikotarpiui, reikia utilizuoti atskirai nuo įprastinių buitinių atliekų. Jeigu šio gaminio tarnavimo laikas baigėsi, tai prašome perduoti jį specialių atliekų surinkimo arba perdirbimo įmonei. Tai padės apsaugoti aplinką, kurioje mes visi gyvename.



To Focal-JMlab προϊόν σας αναπτύχθηκε και κατασκευάστηκε με υψηλής ποιότητας υλικά και συστατικά τα οποία μπορούν να ανακυκλωθούν ή να ξαναχρησιμοποιηθούν. Αυτό το σύμβολο δηλώνει ότι οι ηλεκτρικές και ηλεκτρονικές συσκευές πρέπει να πετούνται ξεχωριστά από τα κανονικά σας σκουπίδια στο τέλος του χρόνου λειτουργίας τους. Παρακαλείστε να πετάτε αυτό το προϊόν με το να το φέρετε το οικείο σας σημείο ή κέντρο ανακύκλωσης για κάθε συσκευή. Αυτό θα σας βοηθήσει να προστατέψετε το περιβάλλον στο οποίο όλοι ζούμε.



Focal-JMlabs produkter har konstruerats och tillverkats av högkvalitativa material och komponenter som kan återvinnas och återanvändas. Symbolen innebär att uttjänade elektriska och elektroniska apparater måste tas om hand separerat från hushållsavfallet. Lämna apparaten på kommunens samlingsställen eller återvinningscentraler. Hjälp oss att skydda vår miljö.



Váš výrobek Focal-JMlab byl navržen a vyroben z vysoce kvalitních materiálů a komponent, které lze recyklovat a znovu použít. Tento symbol znamená, že se elektrické a elektronické přístroje po uplynutí své životnosti musejí likvidovat odděleně od domácího odpadu. Odevzdejte proto prosím tento přístroj k likvidaci v místě příslušném komunálním sběrném dvoře nebo k recyklaci v příslušném recyklačním středisku. Pomozte nám prosím při ochraně životního prostředí.



Šis Focal-JMlab produkts ir izstrādāts un ražots, izmantojot augstas kvalitātes materiālus un komponentus, kurus var otrreizēji pārstrādāt un/vai lietot atkārtoti. Šis simbols norāda, ka elektriskās un elektroniskās ierīces pēc to kalpošanas laika beigām jālikvidē atsevišķi no parastajiem atkritumiem. Lūdzu, likvidējiet šo produktu, tikai nododot vietējā savākšanas punktā vai pārstrādes centrā, kas paredzēti šādai tehnikai. Šādi jūs palīdzēsiet aizsargāt vidi, kurā mēs visi dzīvojam.



Teie Focal-JMlab toode on välja töötatud ning toodetud kõrgkvaliteetsest materjalist ning osades, mida on võimalik ümber töödelda ning/või korduvkasutada. Antud märgis näitab, et elektri- ja elektroonikaseadmeid peab nende kasutusaja lõppemisel kõrvaldama lahus muudest jäätmetest. Palun viige toode kõrvaldamiseks teie kohalikku jäätmete kogumiskohta või antud seadme ümbertöötamiskeskusesse. See aitab kaitsta meid ümbritsevat keskkonda.

Garantie France

Pour validation de la garantie Focal, merci de nous retourner cette page dans les 10 jours, à l'adresse suivante :

Focal-JMlab - BP 374 - 108, rue de l'Avenir - 42353 La Talaudière cedex - FRANCE

Modèle : _____ N° de série : _____

Nom du revendeur : _____ Ville : _____

Date de l'achat : _____ Prix de l'achat : _____

Votre nom : _____ Âge : _____ Profession : _____

Votre adresse complète : _____

Votre adresse email : _____

Composition de votre installation (marque, modèle) :

■ iPod, iPad, iPhone®: _____ ■ Autre lecteurs de musique portable : _____

■ Tuner / Web Radio : _____ ■ DVD : _____

■ Blu Ray : _____ ■ CD / SACD : _____

■ Satellite / TNT : _____ ■ Ecran plat : _____

■ Amplificateur : _____ ■ Autres : _____

Votre choix pour l'achat de ce modèle Focal s'est fait en fonction de :

Conseil du revendeur Conseil d'amis, relation

Visite d'exposition, salon Article de presse

Ecoute en auditorium Possède déjà Focal

Fiabilité / Qualité Catalogues

Réputation Matériel Français

Garantie Rapport qualité / prix

Esthétique / Finition Autre _____

Son

En cas de renouvellement, quelles étaient vos précédentes enceintes acoustiques ? _____

Dites en quelques mots pourquoi vous avez choisi Focal... _____

Vos annotations éventuelles : _____

Il est maintenant possible d'enregistrer son produit en ligne : www.focal.com/garantie

Nous garantissons la confidentialité de ces informations.

Dans un but d'évolution, Focal JMlab se réserve le droit de modifier les spécifications techniques de ses produits sans préavis. Images non contractuelles.

International Guarantee

The Focal guarantee only applies if this page is returned to us within 10 days of purchase, to the following address:

Focal-JMLab - BP 374 - 108, rue de l'Avenir - 42353 La Talaudière cedex - FRANCE

Model: _____ Serial number: _____

Name of dealer: _____ Town: _____

Date of purchase: _____ Purchase price: _____

Your name: _____ Age: _____ Occupation: _____

Your complete address: _____

Your email address: _____

Details of your installation (brand, model):

■ iPod, iPad, iPhone®: _____ ■ Other music players: _____

■ Tuner / Web Radio: _____ ■ DVD: _____

■ Blu Ray: _____ ■ CD / SACD: _____

■ Satellite / TNT: _____ ■ Flat screen: _____

■ Amplifier: _____ ■ Others: _____

Your decision for purchasing this Focal model was made according to:

Dealer's advice Friend's advice

Visit to an exhibition, show Press article

Listening in auditorium Already own Focal products

Reliability / Quality Documentation

Reputation French produce

Guarantee Quality / Price ratio

Design / Finishes Other _____

Sound

In case of purchase of new equipment, what were your former speakers ? _____

Explain in a few words why you choose Focal... _____

Further comments: _____

Now it's possible to register on line : www.focal.com/warranty

The information given on this page will remain confidential.

Due to constant technological advances, Focal reserves its right to modify specifications without notice. Images may not conform exactly to specific product.



CE

Focal-JMlab® - BP 374 - 108, rue de l'Avenir - 42353 La Talaudière cedex - France - www.focal.com
Tel. (+33) 04 77 43 57 00 - Fax (+33) 04 77 43 57 04 - SCEB-120120/2 - codo1337



EXPLANATION OF WARRANTY COVERAGE

Dear friends,

Thank you for your trust in our company and our products as demonstrated by your recent purchase of Focal product(s).

Our intention is to delight you with years of robust musical enjoyment, but should your Focal product need to be serviced, please keep the following in mind:

- The **ONLY** proof you need to show to qualify for warranty coverage is your original bill of sale from an authorized Focal retailer — you do **NOT** need to fill-out any forms that are sent back to Focal in France as stated in some owners manuals
 - We will **NOT** offer any warranty coverage for product purchased from an unauthorized Focal retailer
 - If you have any question whether the retailer you're working with is an authorized Focal retailer, please call our corporate toll-free (800) 663-9352 number
- All Focal Consumer products are offered the following no charge warranty coverage:
 - Drivers, Crossovers & Cabinets - Five Years Parts & Labor
 - Subwoofer Amplifiers - Three Year Parts & Labor
 - XS Series - Two Year Parts & Labor
 - Headphones - One Year Parts & Labor

If you have any questions of how to qualify or request warranty service coverage, please contact your authorized Focal retailer, or our customer support staff @ (800) 663-9352